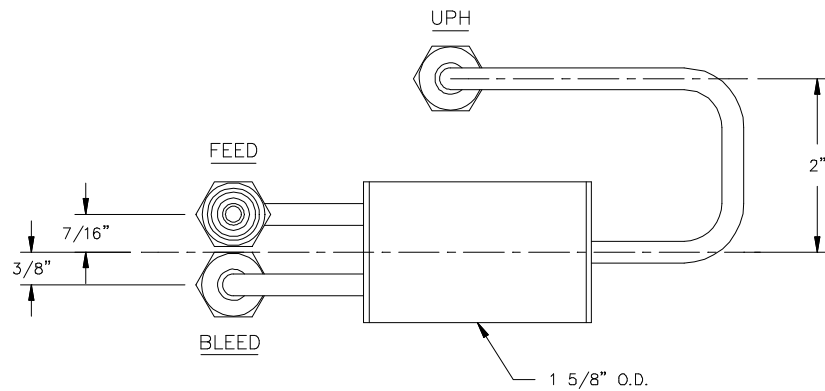
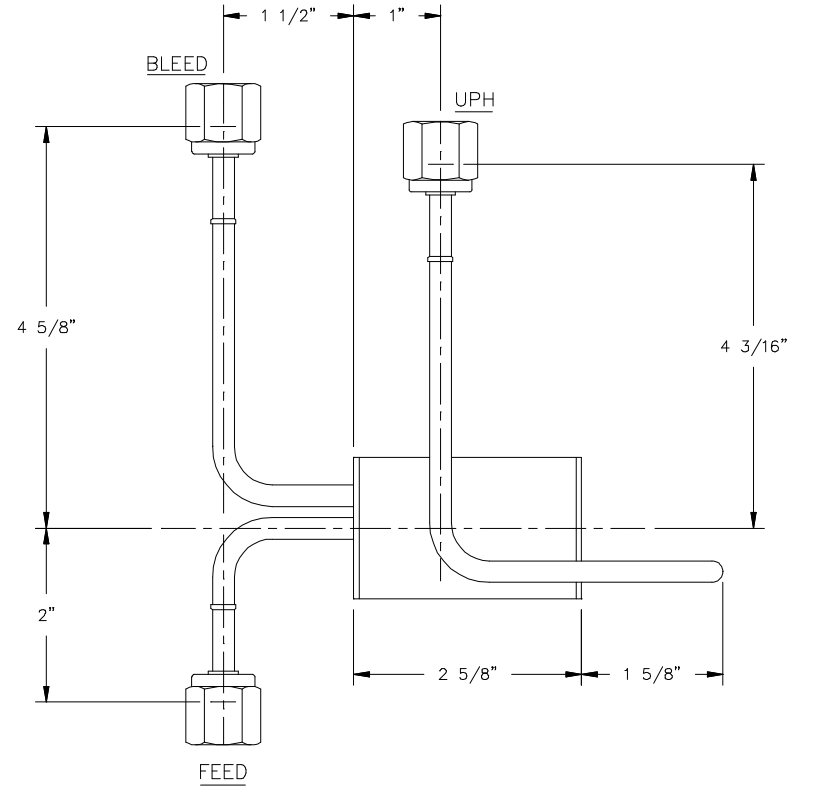


| REVISIONS | | | |
|-----------|--------------|----|--------|
| REV. | DESCRIPTIONS | BY | APPVD. |
| | | | |



HYDROGEN PURIFIER
MODEL HP-2
OUTLINE DRAWING

JOHNSON MATTHEY
WAYNE, PA

| DESIGN | ENGR. | PRJ. ENGR. | ENGR. MGR. |
|-----------------|---------------------|----------------|------------|
| | | | |
| DRAWN M.D.C. | CHECKED | | |
| DATE 3-13-92 | SHEET NO. 1 OF 1 | DRAWING NUMBER | |
| SCALE FULL | | REV. | |
| | | 09-0C1885 | |

