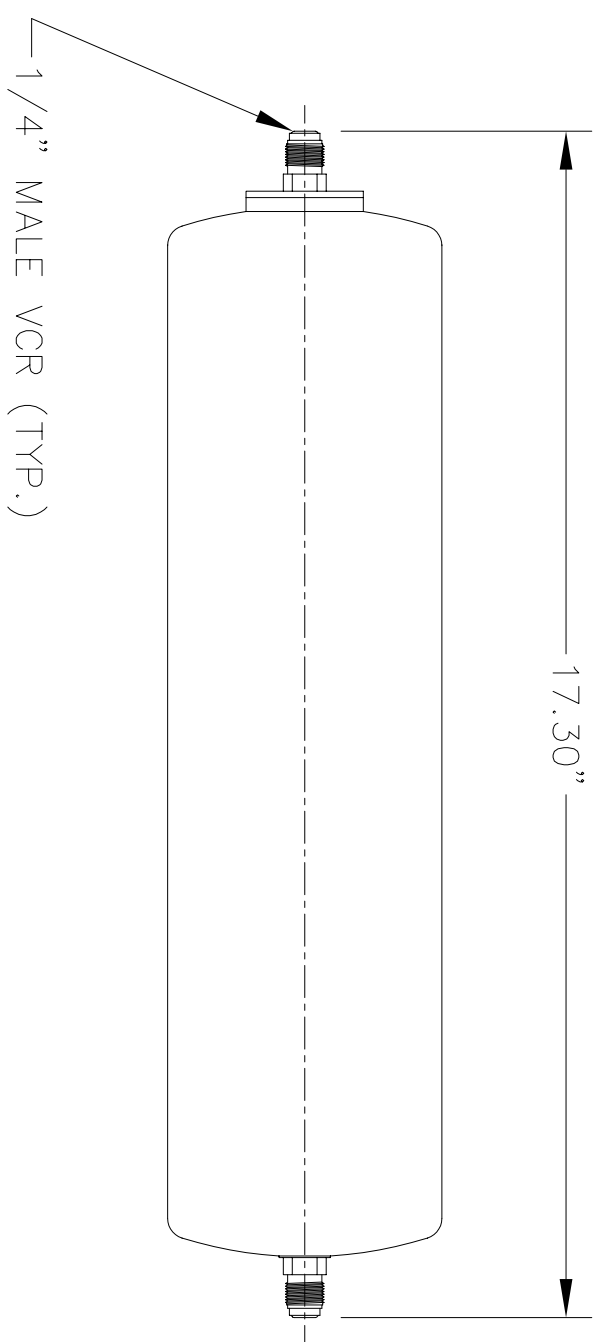
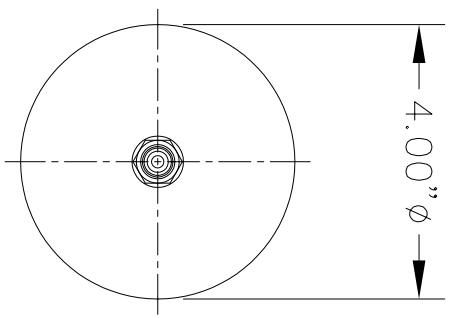


REVISIONS			
REV.	DESCRIPTIONS	BY	APPVD.
1	REVISED	M.D.C. 8-22-02	M.L.C. 8-22-02



MODEL 2500XL PURIFIER
OUTLINE DRAWING

JM  **Johnson Matthey**
GAS PURIFICATION TECHNOLOGY
WEST CHESTER, PA

DESIGN	ENGR.	PRO. ENGR.	ENGR.	MGR.
DRAWN M.D.C.	CHECKED M.L.C.			
DATE: 6-7-02	SHEET NO. 1 OF 1	DRAWING NUMBER		REV. 1
SCALE 1" = 3"	GET-A-7254			

PROPERTY OF JOHNSON MATTHEY, INC. TO BE RETURNED UPON
REQUEST AND USED ONLY IN REFERENCE TO CONTRACTS OR PROPOSALS
OF THIS CORPORATION. UNAUTHORIZED REPRODUCTION IS PROHIBITED.